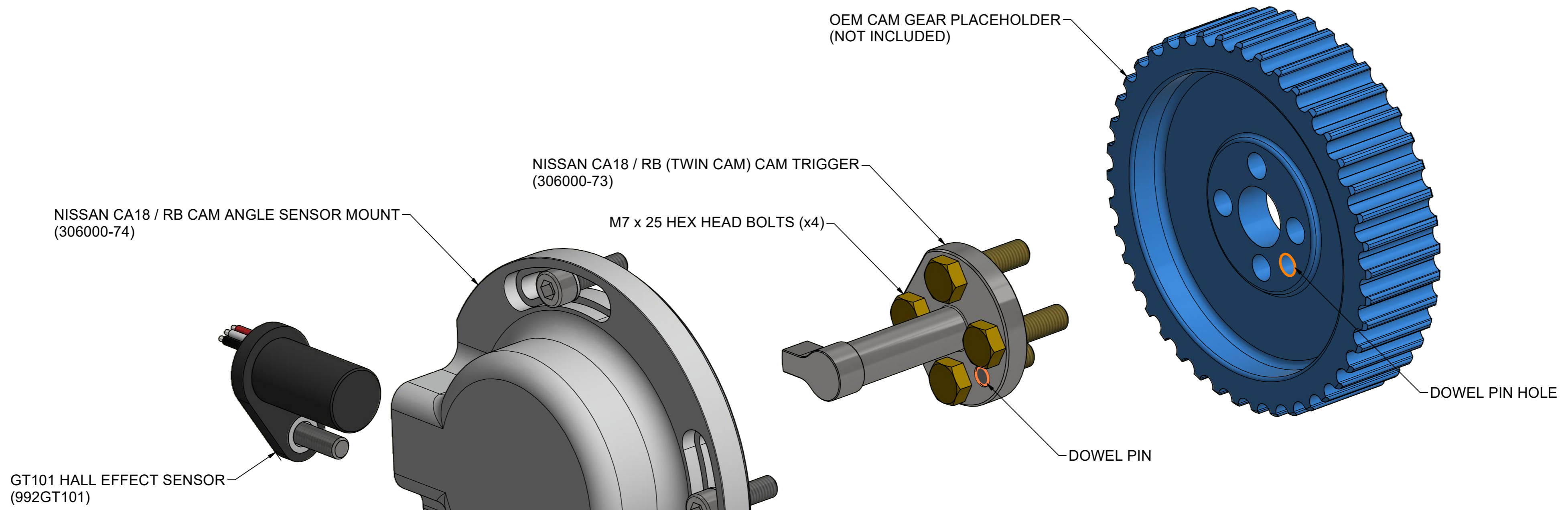


# INSTALLATION GUIDE: NISSAN RB CAM TRIGGER KIT (TWIN CAM) (306000-102GT)



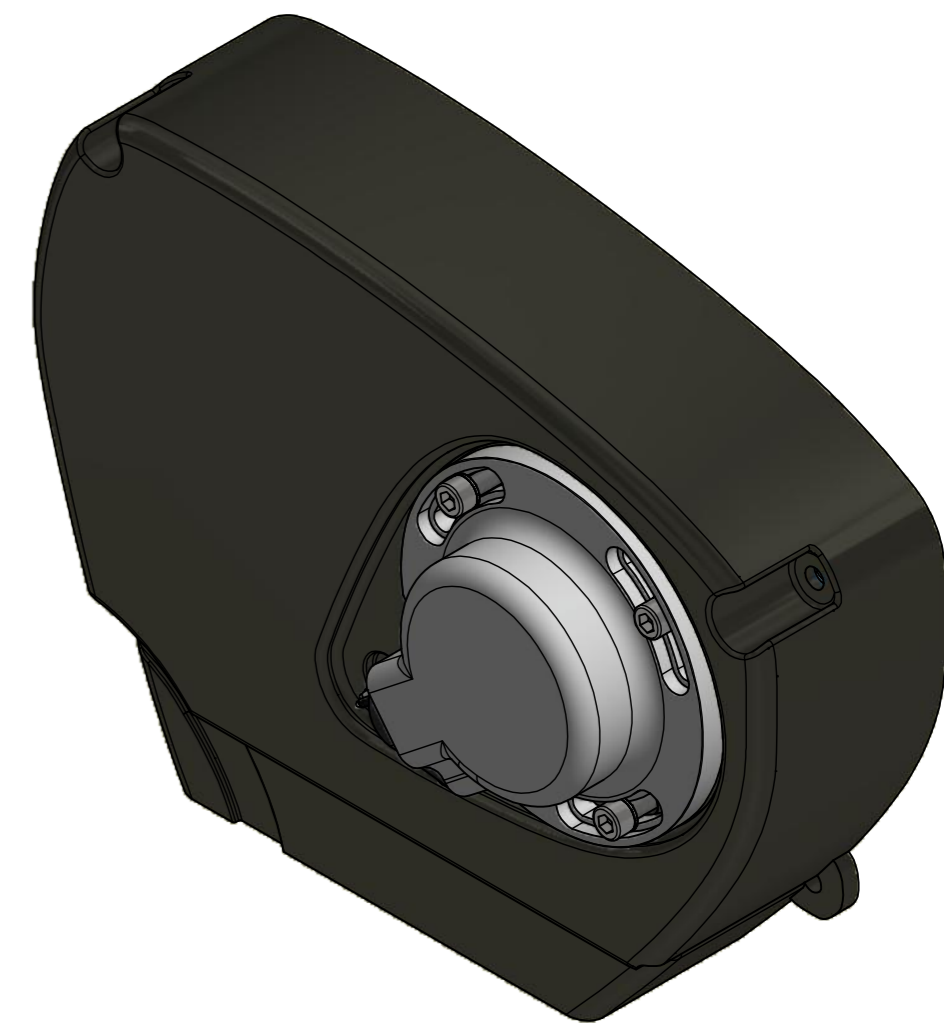
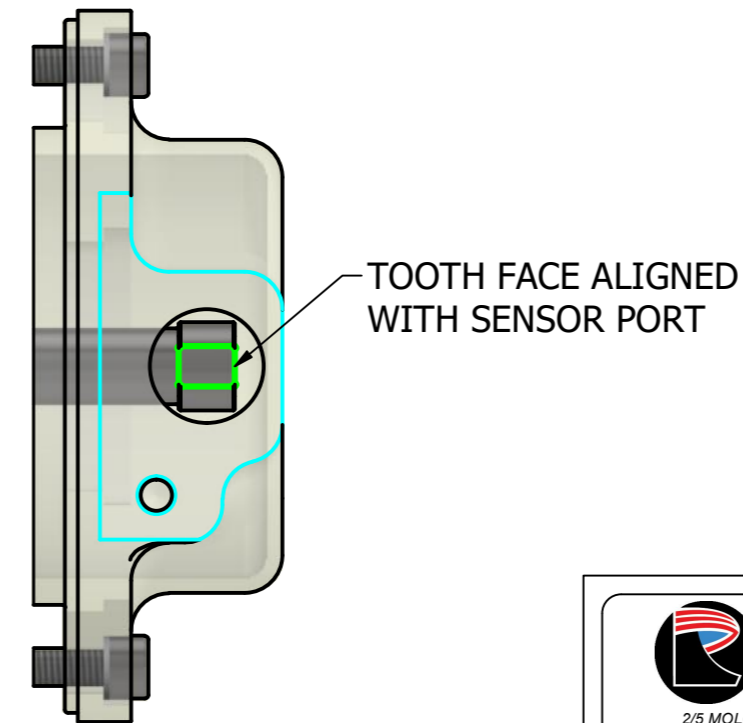
SENSOR TERMINATION	
WIRE COLOUR	CONNECTION
BLACK	GROUND (-)
WHITE	SIGNAL (O)
RED	4.5-24 VDC (+)

**PULL UP RESISTOR REQUIRED**

1. ALIGN CAM TRIGGER DOWEL PIN TO DOWEL PIN HOLE ON CAM GEAR (HIGHLIGHTED IN ORANGE).
2. INSTALL M7 HEX HEAD BOLTS - INSURE TRIGGER IS SEATED SQUARE.
3. TENSION M7 x 25 HEX HEAD BOLTS IN ALTERNATING PATTERN.
4. WITHOUT SENSOR INSTALLED, VISUALLY ALIGN CAM TRIGGER TOOTH FACE (HIGHLIGHTED IN GREEN) WITH SENSOR PORT ON HOUSING.
5. SECURE HOUSING, THEN CONFIRM TRIGGER TOOTH WILL NOT FOUL ON SENSOR WHEN INSTALLED - GT101 SENSOR INTRUDES 31.8mm FROM MOUNTING FACE (HIGHLIGHTED IN BLUE). TOOTH FACE SHOULD MEASURE 33.3mm FROM SENSOR MOUNTING FACE.
6. LOOSEN BOLTS ON HOUSING TO ADJUST CAM TIMING, TIGHTEN ONCE DESIRED PLACEMENT IS ACHIEVED.

**NOTE:**

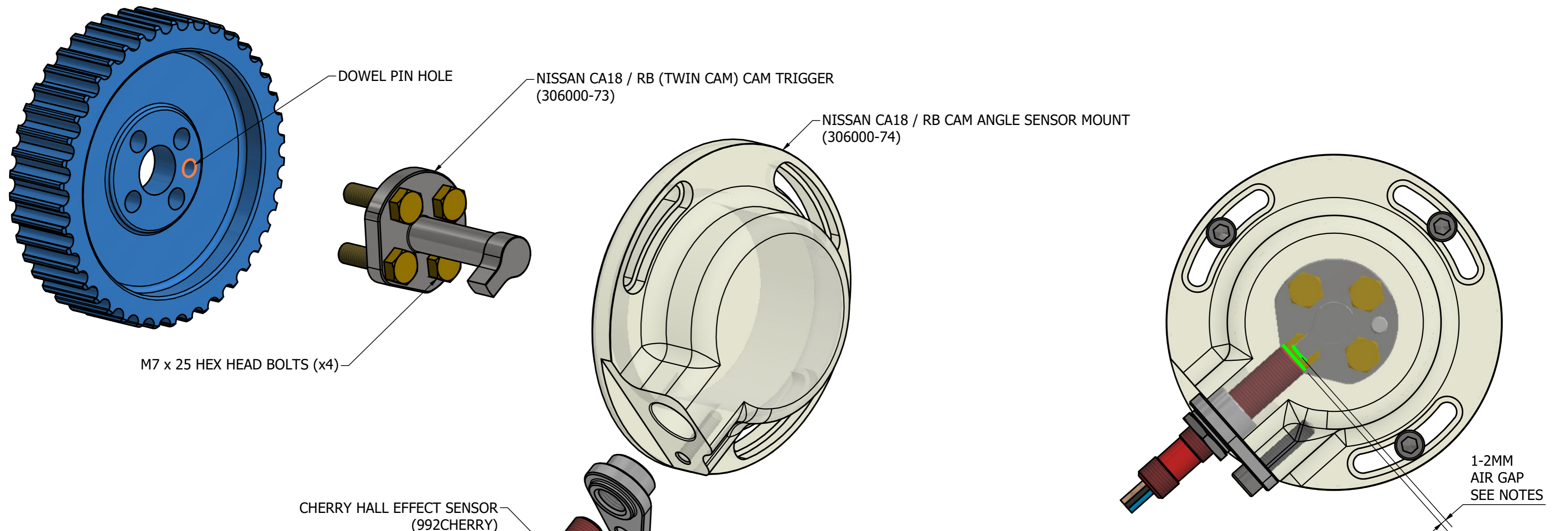
- FAILURE TO CHECK AIR GAP MAY RESULT IN DAMAGE TO THE SENSOR, ENGINE AND/OR ITS COMPONENTS.



 <p>2/5 MOLONEY DRIVE, WODONGA, VICTORIA, AUSTRALIA, 3690 Phone: +61 2 9059 7705 Email: sales@rossperformanceparts.com</p>	<p>DRAWING TITLE</p> <p><b>CAM TRIGGER KIT GT101 SENSOR RB (TWIN CAM) NISSAN</b></p>	<p>DRAWING NUMBER</p> <p><b>306000-102GT</b></p>
---	--	--



# INSTALLATION GUIDE: NISSAN RB CAM TRIGGER KIT (TWIN CAM) (306000-102CH)

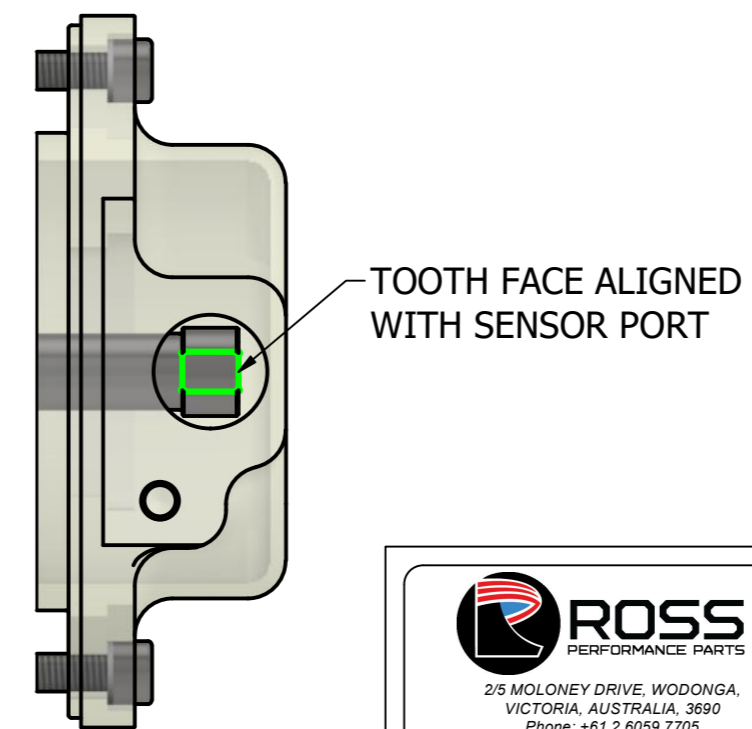



SENSOR TERMINATION	
WIRE COLOUR	CONNECTION
BLUE	GROUND (-)
BLACK	SIGNAL (O)
BROWN	8-16 VDC (+)

PULL UP RESISTOR REQUIRED

1. ALIGN CAM TRIGGER DOWEL PIN TO DOWEL PIN HOLE ON CAM GEAR (HIGHLIGHTED IN ORANGE).
2. INSTALL M7 HEX HEAD BOLTS - INSURE TRIGGER IS SEATED SQUARE.
3. TENSION M7 x 25 HEX HEAD BOLTS IN ALTERNATING PATTERN.
4. WITHOUT SENSOR INSTALLED, VISUALLY ALIGN CAM TRIGGER TOOTH FACE (HIGHLIGHTED IN GREEN) WITH SENSOR PORT ON HOUSING.
5. SECURE HOUSING, THEN ATTACH SENSOR ADAPTOR.
6. THREAD SENSOR UNTIL **LIGHT** CONTACT IS MADE WITH TOOTH. DO NOT TIGHTEN PAST THIS POINT AS IT WILL DAMAGE THE SENSOR.
7. UNSCREW SENSOR ONE FULL ROTATION FOR 1MM AIR GAP, AND TIGHTEN LOCKING NUT (1 ROTATION = 1MM GAP, AIR GAP SHOULD BE 1-2MM)
8. LOOSEN BOLTS ON HOUSING TO ADJUST CAM TIMING, TIGHTEN ONCE DESIRED PLACEMENT IS ACHIEVED.

- NOTE:
- FAILURE TO CHECK AIR GAP MAY RESULT IN DAMAGE TO THE SENSOR, ENGINE AND/OR ITS COMPONENTS.



 2/5 MOLONEY DRIVE, WODONGA, VICTORIA, AUSTRALIA, 3690 Phone: +61 2 9059 7705 Email: sales@rossperformanceparts.com	DRAWING TITLE	DRAWING NUMBER
	<b>CAM TRIGGER KIT                  CHERRY SENSOR                  RB (TWIN CAM)                  NISSAN</b>	<b>306000-102CH</b>